

SUGINO Hydro Speed Regulators

SUGINO MACHINE LIMITED

Hydro Speed Regulators

The hydro speed regulator is an oil-operated feed speed control unit. The feed speed of the air cylinder is controlled to a desired one. The regulator is available in two different types, to suit the control patterns. Select a type from the spring return type and air return type.

Hydro speed regulator with skip motion model is optimal for machining the piping materials.

RB type

Spring return type

In the hydro speed regulator RB type, the piston rod is automatically returned to its original position by the built-in spring when the piston rod is no longer loaded.

Features

1. Compact and handy size realize free direction of installation.
2. The completely sealed structure eliminates the need for resupplying the unit with operating oil and realizes stable speed control over a long time.
3. Stable feed speed is obtained as variation of the controlled speed is very little against sudden load changes.
4. Feed is controlled with ease by the speed adjusting knob.



RB type

Spring return type

In the hydro speed regulator RB type, the piston rod is automatically returned to its original position by the built-in spring when the piston rod is no longer loaded.

Features

1. Compact and handy size realize free direction of installation.
2. The completely sealed structure eliminates the need for resupplying the unit with operating oil and realizes stable speed control over a long time.
3. Stable feed speed is obtained as variation of the controlled speed is very little against sudden load changes.
4. Feed is controlled with ease by the speed adjusting knob.

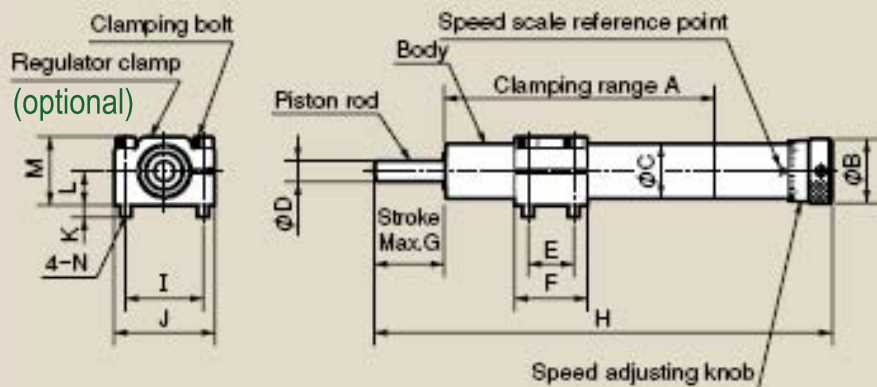


Specifications

Model	Max. Stroke	Load Range	Range of Speed Control for Each Thrust	Permissible impact Load	Wgt (Main Body Only)
	mm	N	mm/sec	J	kg
RB-2412	12	98~ 490	F= 98N 0.2~20 F= 290N 0.3~30 F= 490N 0.4~35	1.47	0.35
RB-2430	30	200~1,500	F= 200N 0.1~ 5 F= 490N 0.2~25	2.45	0.41
RB-2460	60		F= 980N 0.3~40 F=1,500N 0.4~50		0.58
RB-3140	40	490~2,900	F= 490N 0.1~10 F=1,500N 0.2~25	3.92	0.95
RB-3160	60		F=2,200N 0.3~35 F=2,900N 0.5~40		1.20
RB-3860	60	2,200~5,400	F=2,200N 0.2~15 F=3,700N 0.3~25 F=5,400N 0.4~30	5.88	1.80

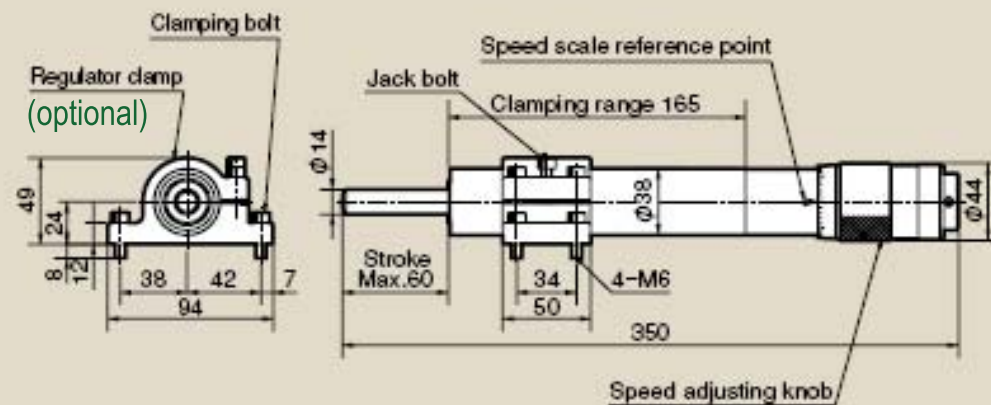
- Notes
1. Special models other than those in the above table are also available upon request.
 2. The regulator clamp is an optional item.

RB-2412, RB-2430, RB-2460
RB-3140, RB-3160



RB-3860

SUGINO Hydro Speed Regulators



Model	A	B	C	D	E	F	G	H	I	J	K	L	M	N
RB-2412	93						12	160						
RB-2430	115	28	24	9	20	32	30	200	34	44	5	15	30	M5
RB-2460	196						60	311						
RB-3140	150						40	270						
RB-3160	190	36	31	12	24	40	60	331	42	58	7	20	40	M6

SUGINO standard model is only Hydro Speed Regulator
Regulator clamp is optional part